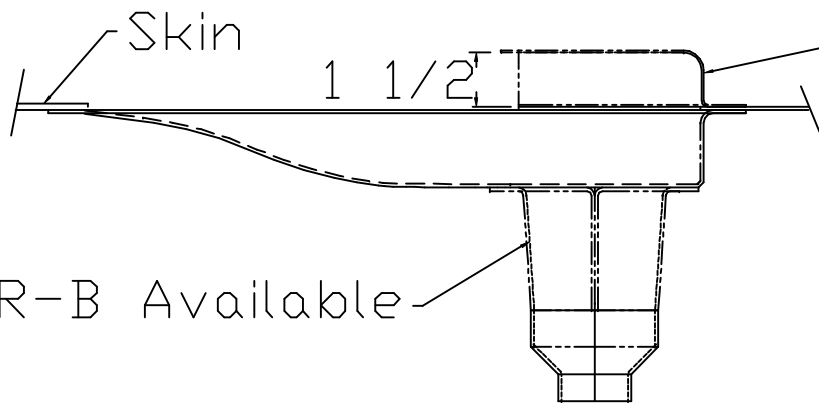


Opening up to 2 1/4" x  
9 1/2" may be cut in end  
for special ducts.



Optimizer Available

2. Material- .090  
polycarbonate.

1. Flange width 3/4"-1"  
as required

Notes:

**006-TR-A/B**

006-TR-B Available